



# LC Duplex Adapter

LC/PC ,LC/APC Duplex Adapter

## Description

LC Duplex Adapter can be instead of two simplex adapters, can significantly reduce the product size, suitable for all kinds of compact module installations.

## Feature

- Panel clip for easy installation
- Available in several standard colors
- Available without flange or with flange, saving panel space
- All parts compliant with ROHS
- Compliant with Telcordia and IEC



LC Duplex Adapter

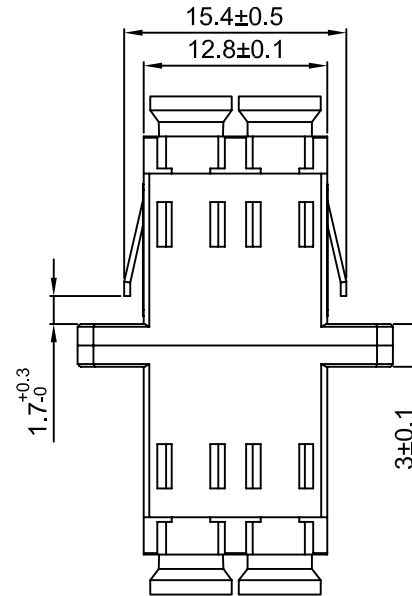
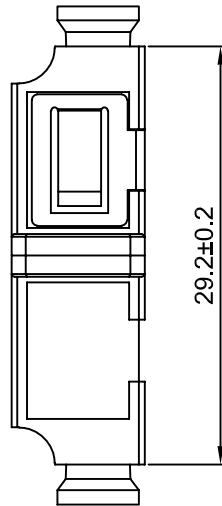
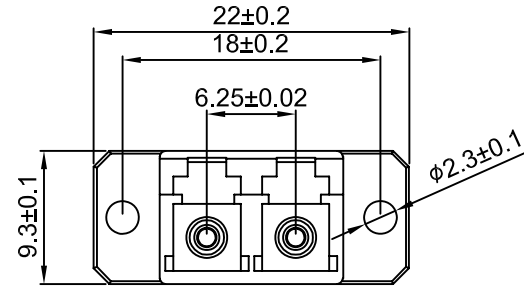
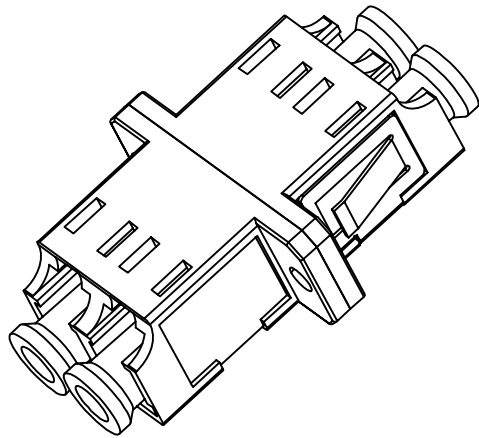
## Application

- Telecom network
- Ethernet network
- Optical communication equipment
- Local Area Networks(LANs)
- Data processing networks

## Specification:

Items	Insertion Loss	Mechanical resistance	Repeatability	Operating Temperature
SM/PC	≤0.2dB	200-600g	<0.2dB(1000times)	-40℃~+85℃
SM/APC	≤0.2dB	200-600g	<0.2dB(1000times)	-40℃~+85℃
MM/PC	≤0.2dB	200-600g	<0.2dB(1000times)	-40℃~+85℃

A B C D E F C H



**Technical Requirements:**

1.The dimensions showing on the drawing are just for reference.

Title	LC Duplex wiht flange		
Drawing	Steven	Item No	
Check	Henry	Drawing No:	
Approval	Williams		曦和光电科技有限公司
Date	2018	Page: 1-1	XH Opto Tech Co.,LTd

1  
2  
3  
4  
5  
6

A B C D E F G H

1

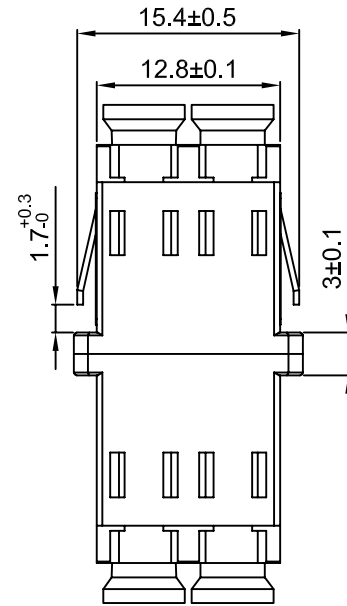
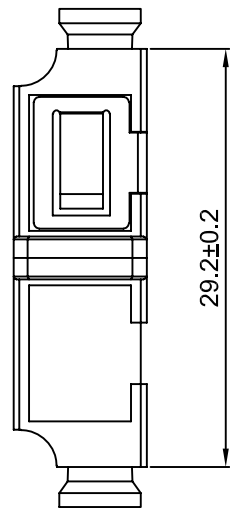
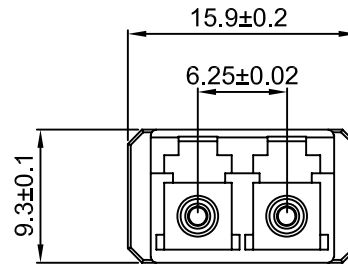
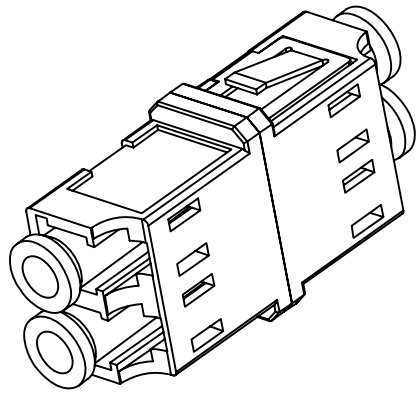
2

3

4

5

6

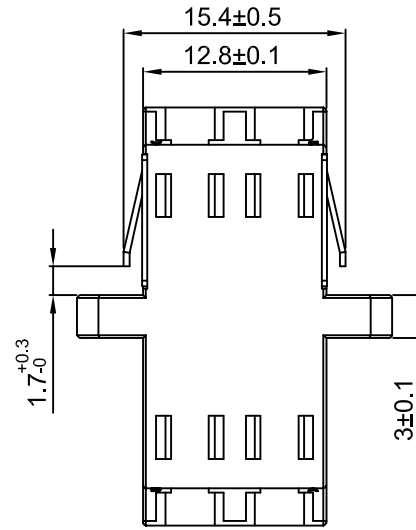
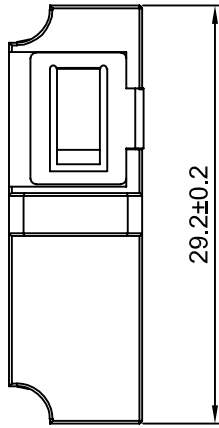
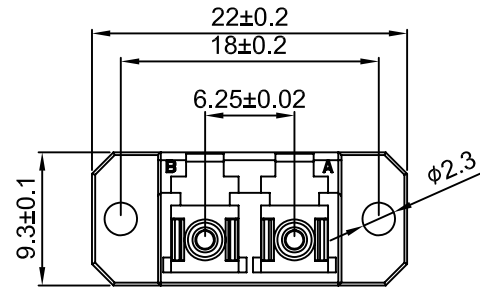
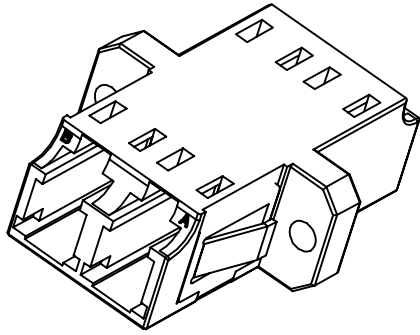


**Technical Requirements:**

1.The dimensions showing on the drawing are just for reference.

Title	LC Duplex without flange		
Drawing	Steven	Item No	
Check	Henry	Drawing No:	
Approval	Williams		
Date	2018	Page: 1-1	曦和光电科技有限公司 XH Opto Tech Co.,LTd

A B C D E F G H



**Technical Requirements:**

1.The dimensions showing on the drawing are just for reference.

Title	One body LC Duplex wiht flange		
Drawing	Steven	Item No	
Check	Henry	Drawing No:	
Approval	Williams		曦和光电科技有限公司
Date	2018	Page: 1-1	XH Opto Tech Co.,LTd

1  
2  
3  
4  
5  
6

A B C D E F G H

1

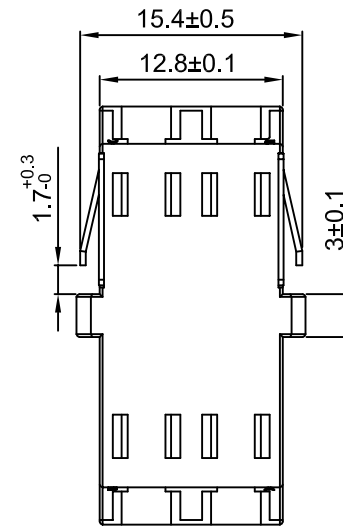
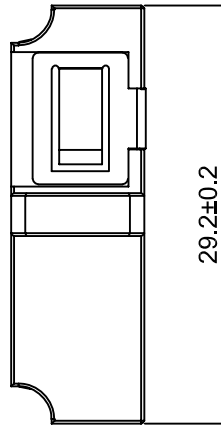
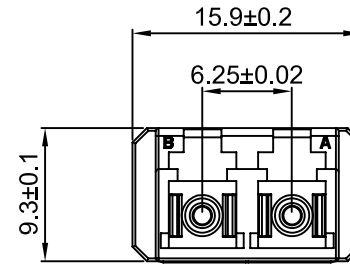
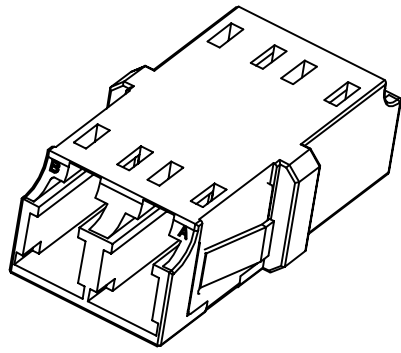
2

3

4

5

6



**Technical Requirements:**

1.The dimensions showing on the drawing are just for reference.

Title	One body LC Duplex without flange		
Drawing	Steven	Item No	
Check	Henry	Drawing No:	
Approval	Williams		曦和光电科技有限公司
Date	2018	Page: 1-1	XH Opto Tech Co.,LTd